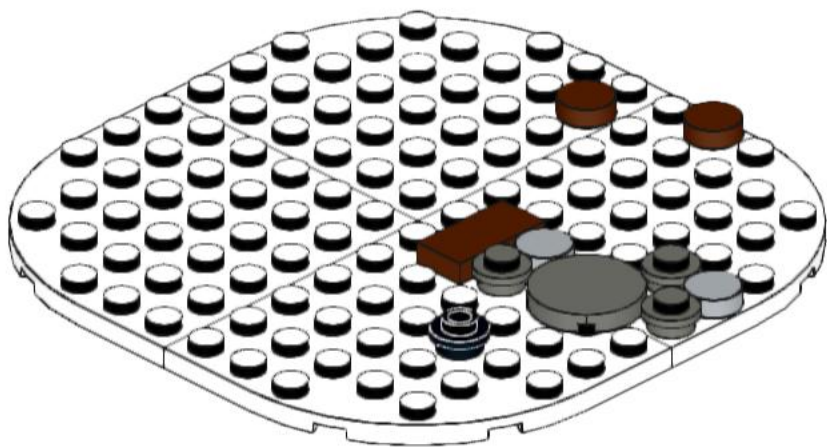
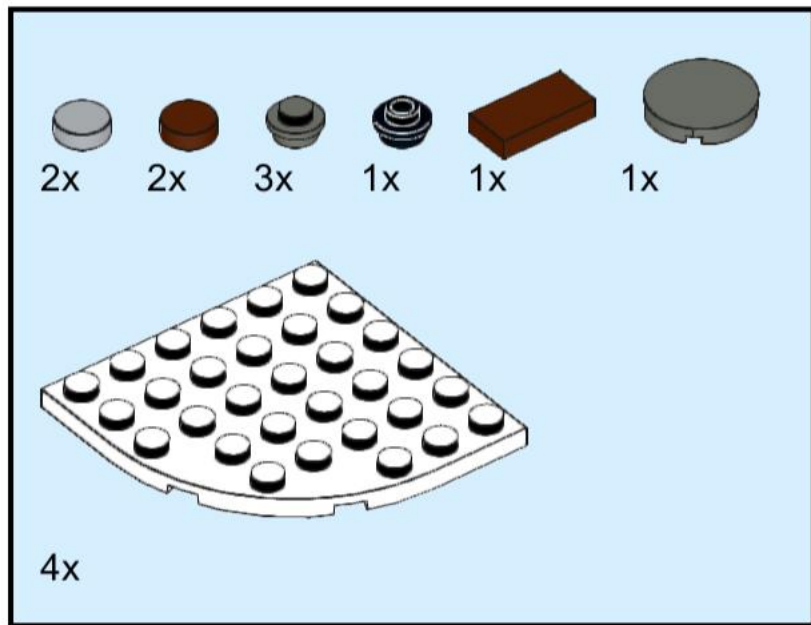
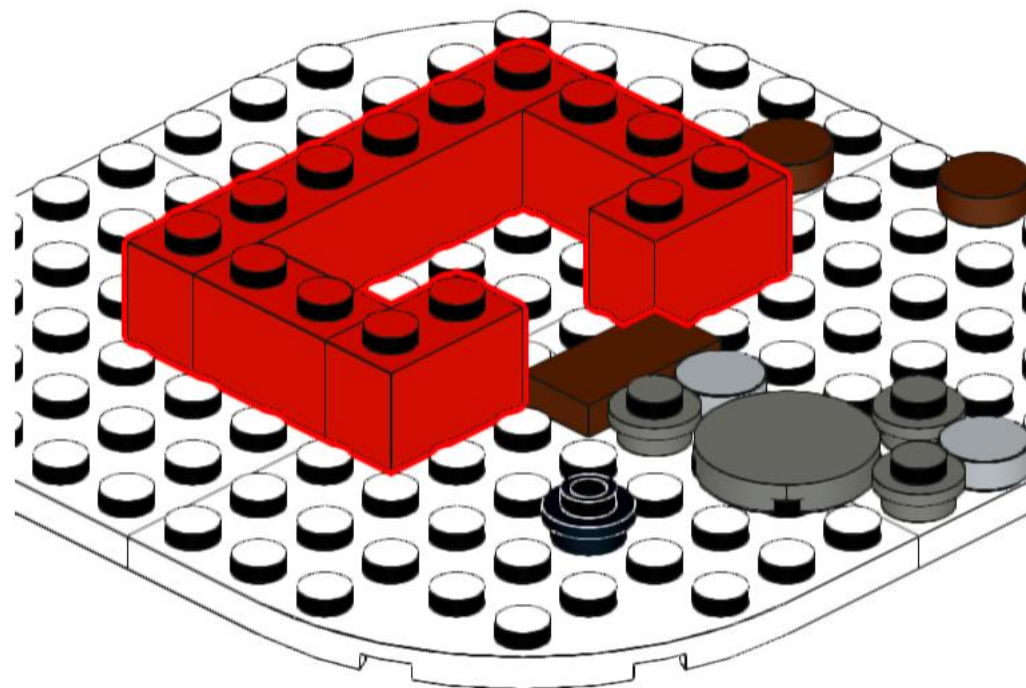
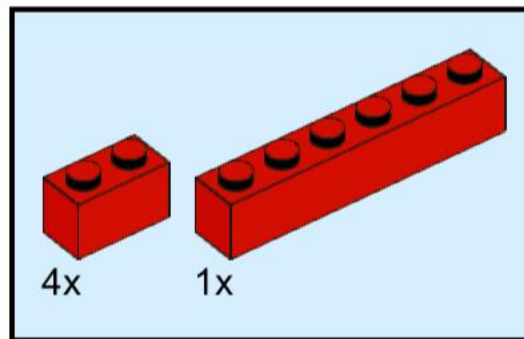


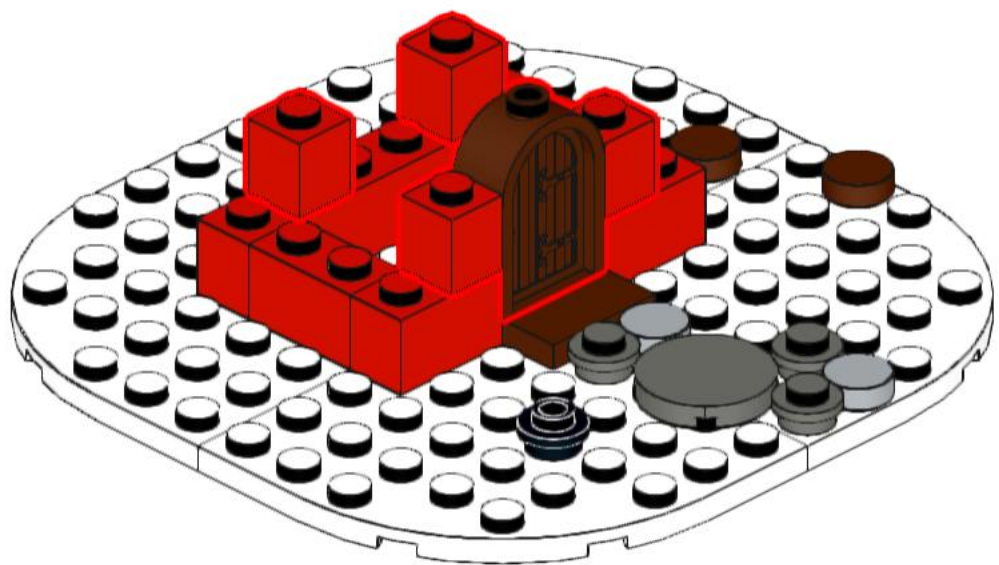
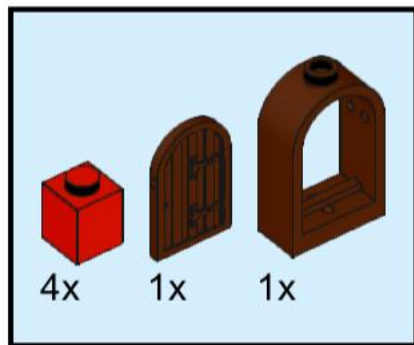
1



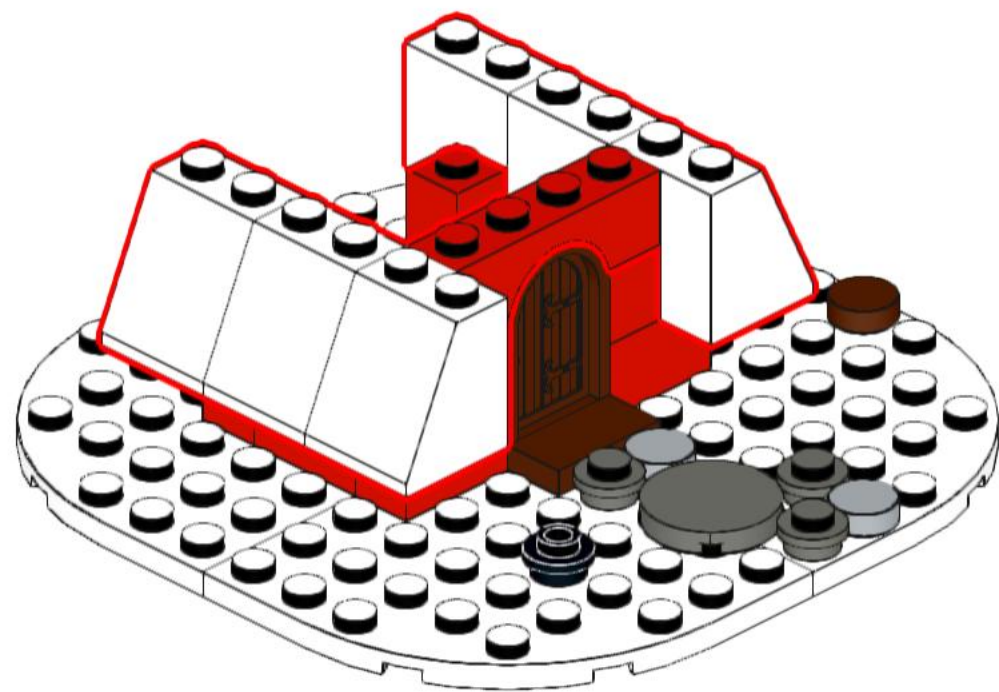
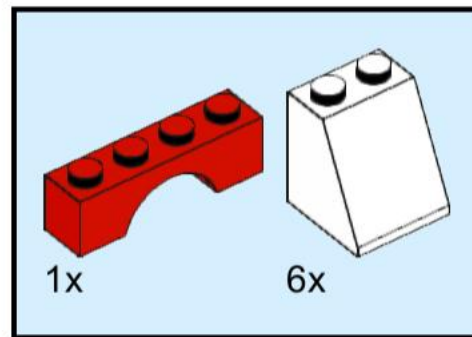
2



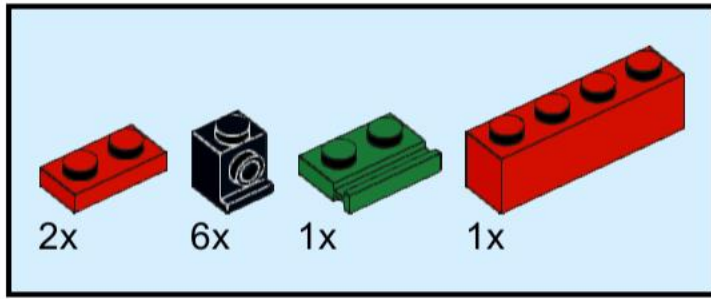
3



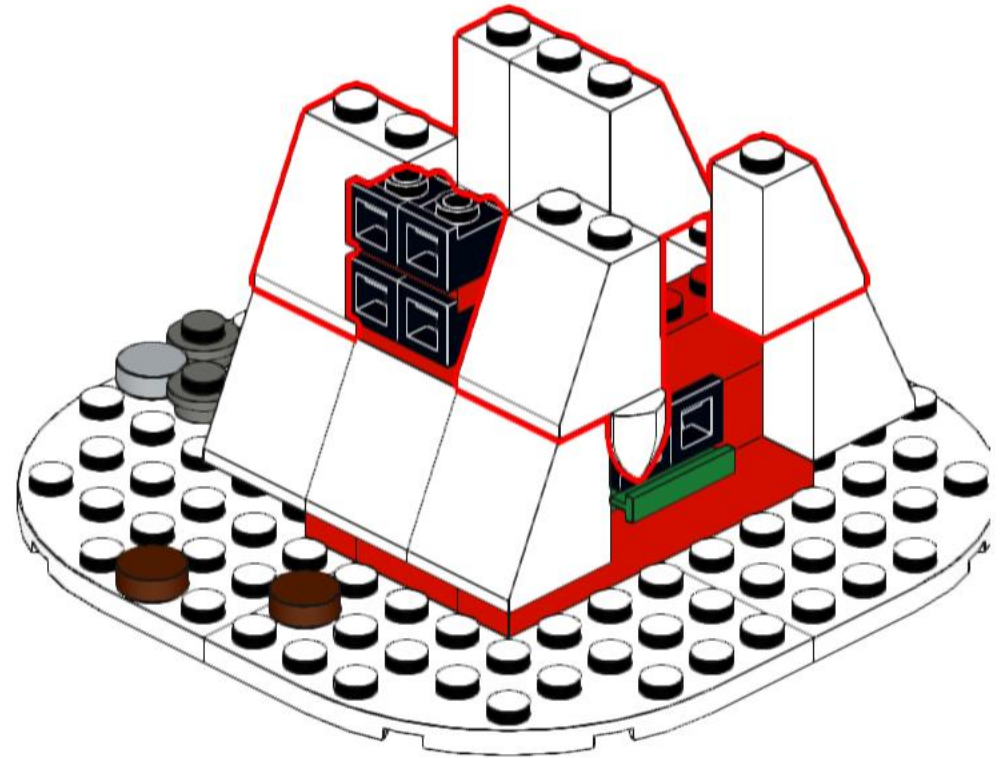
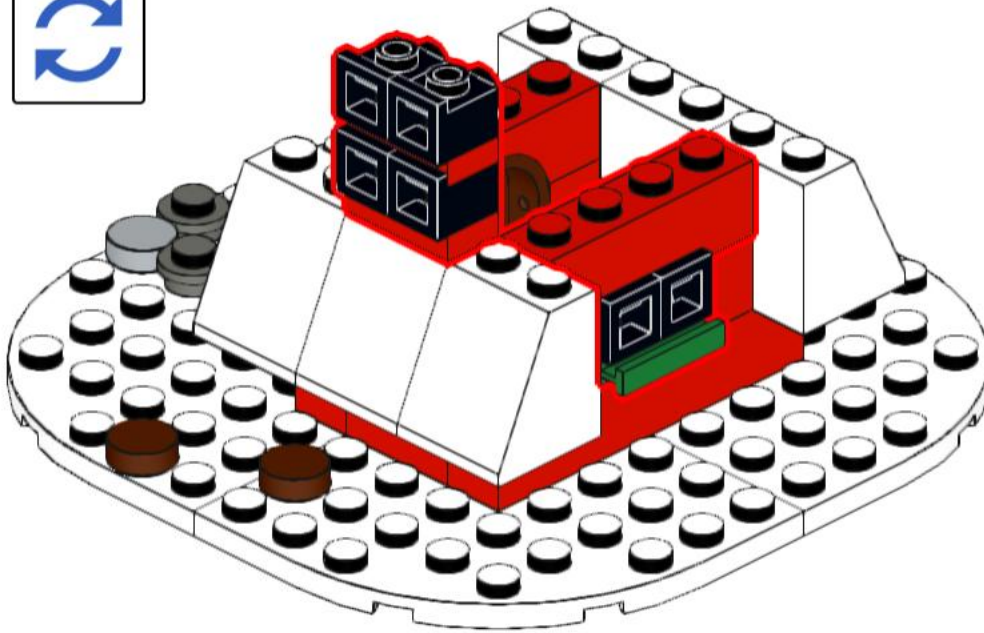
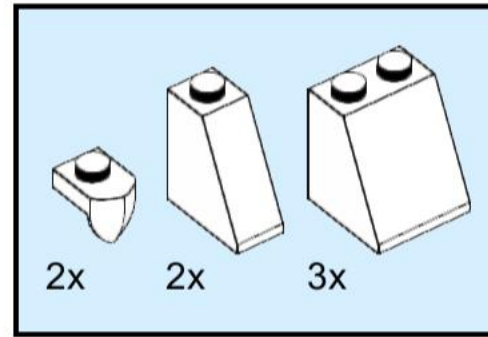
4



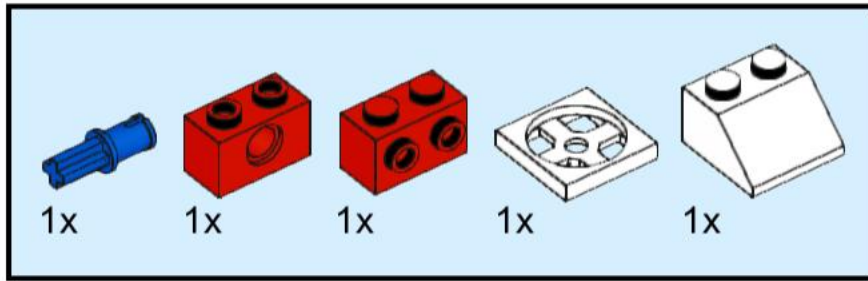
5



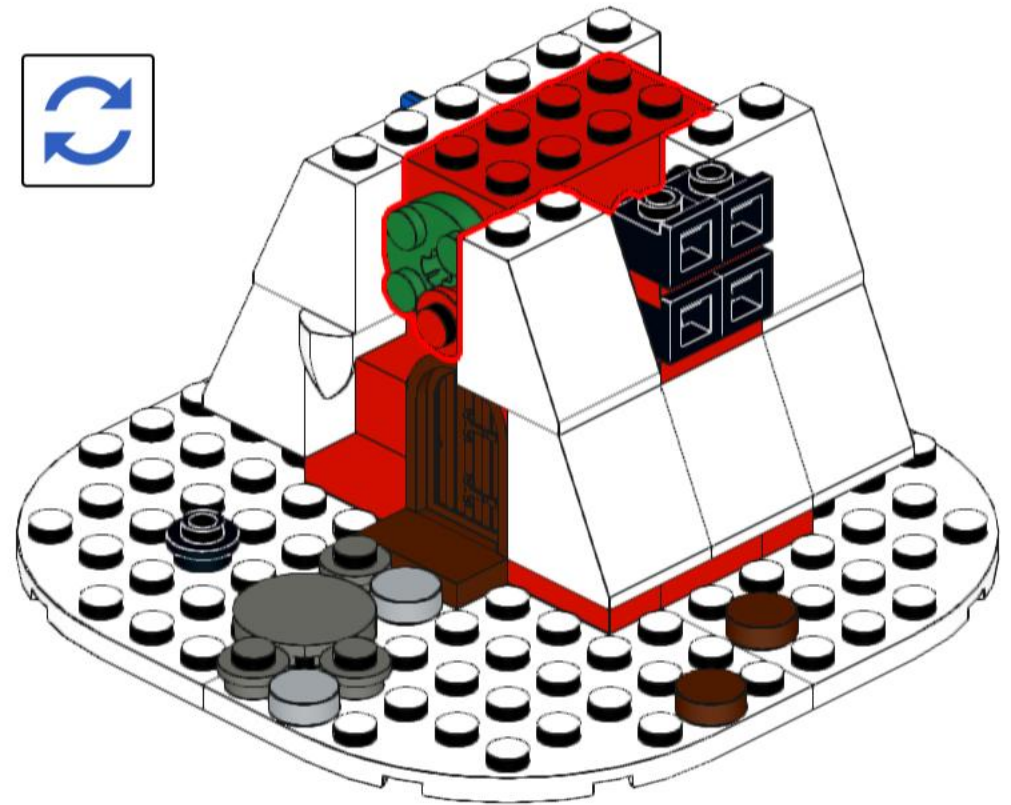
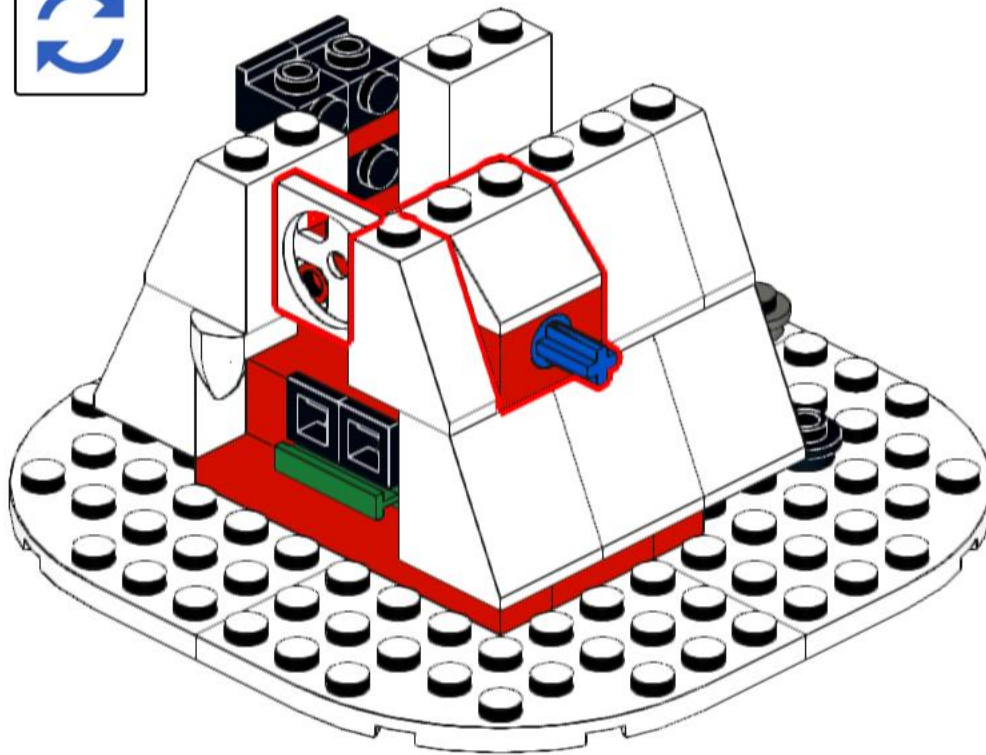
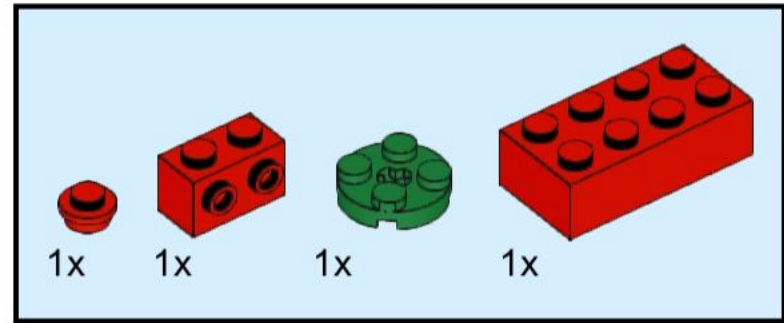
6



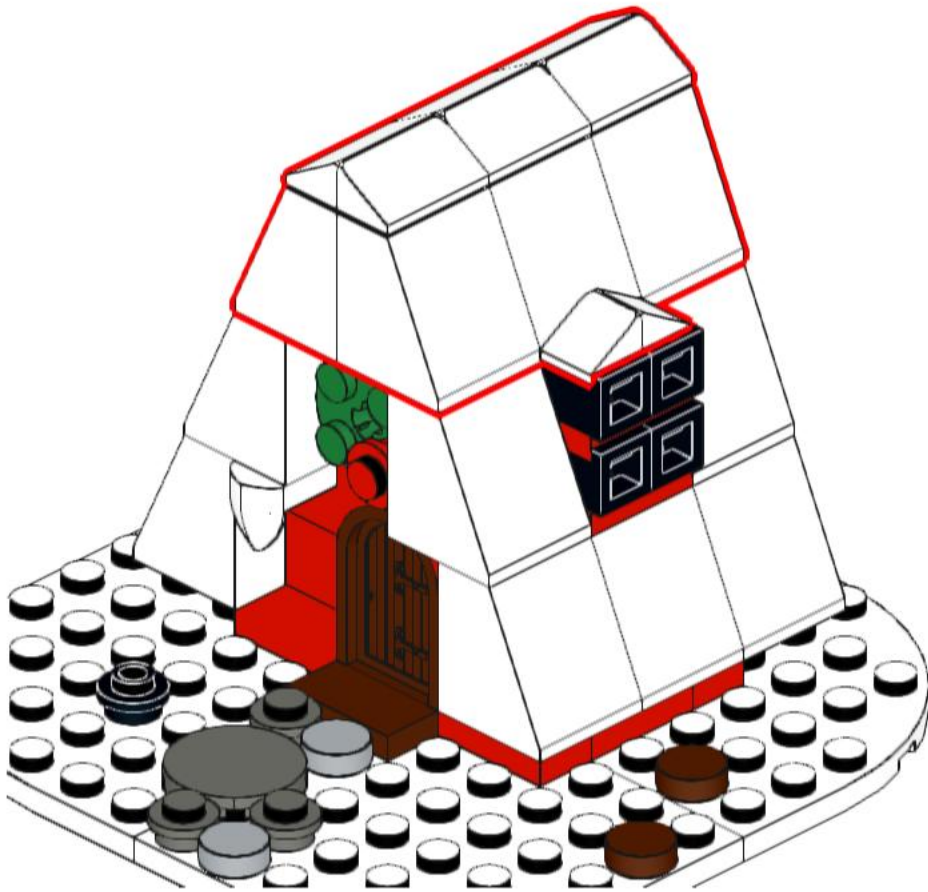
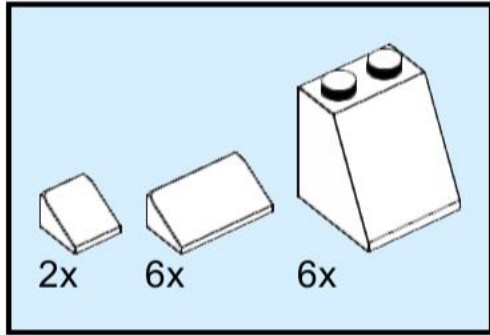
7



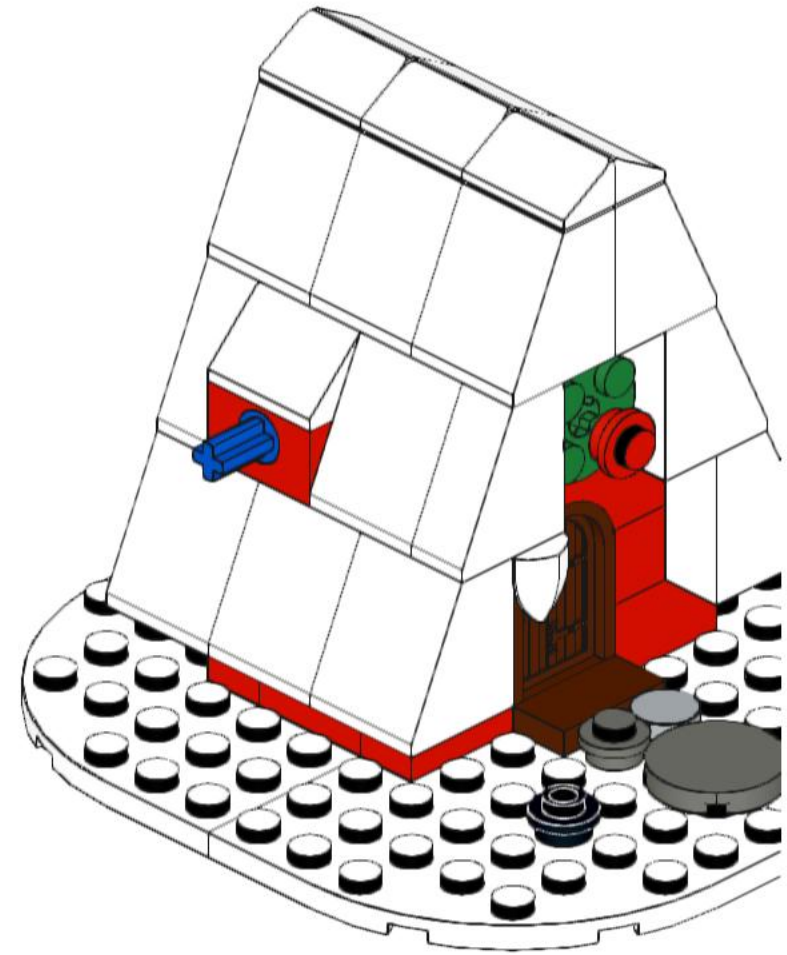
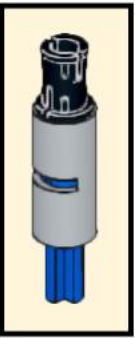
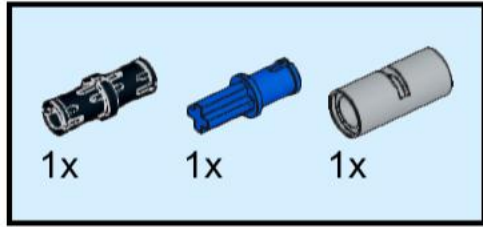
8



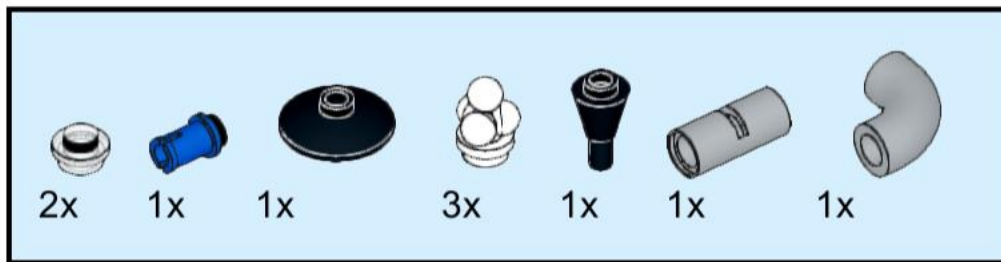
9



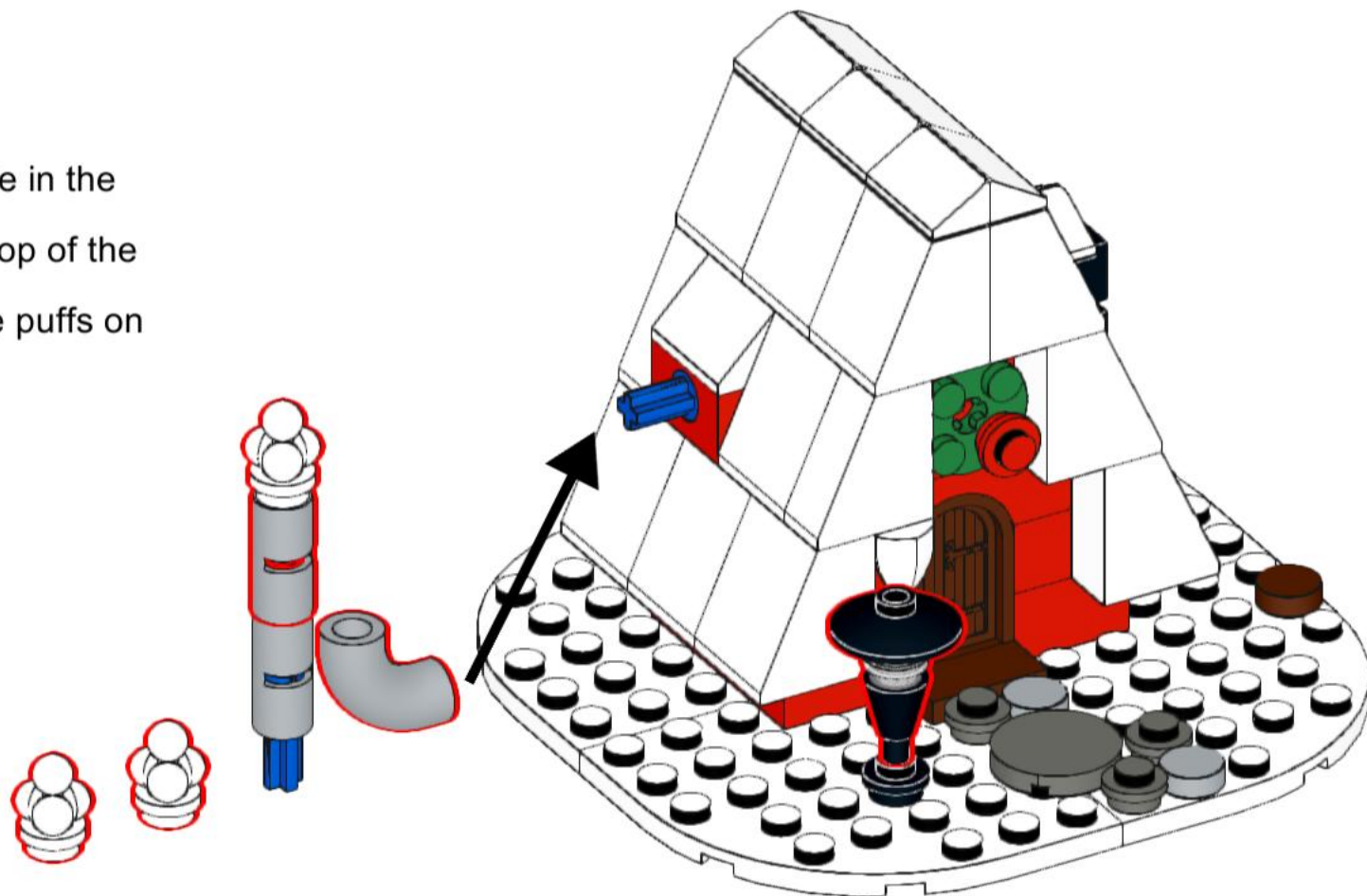
10



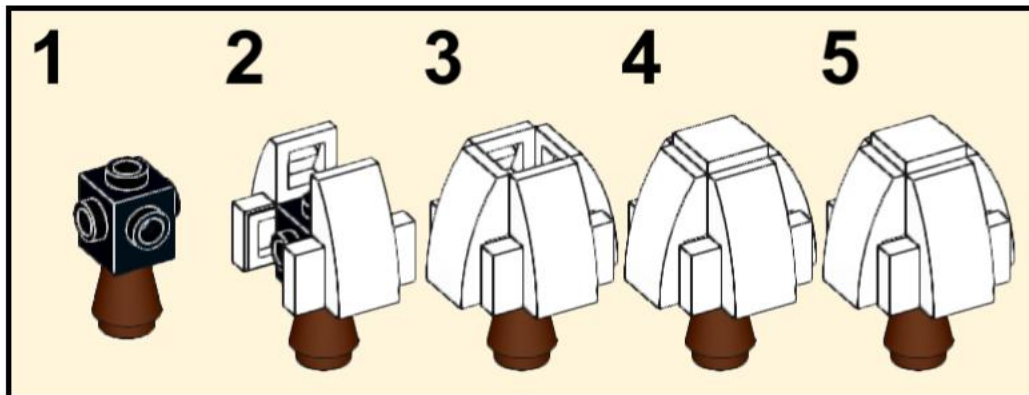
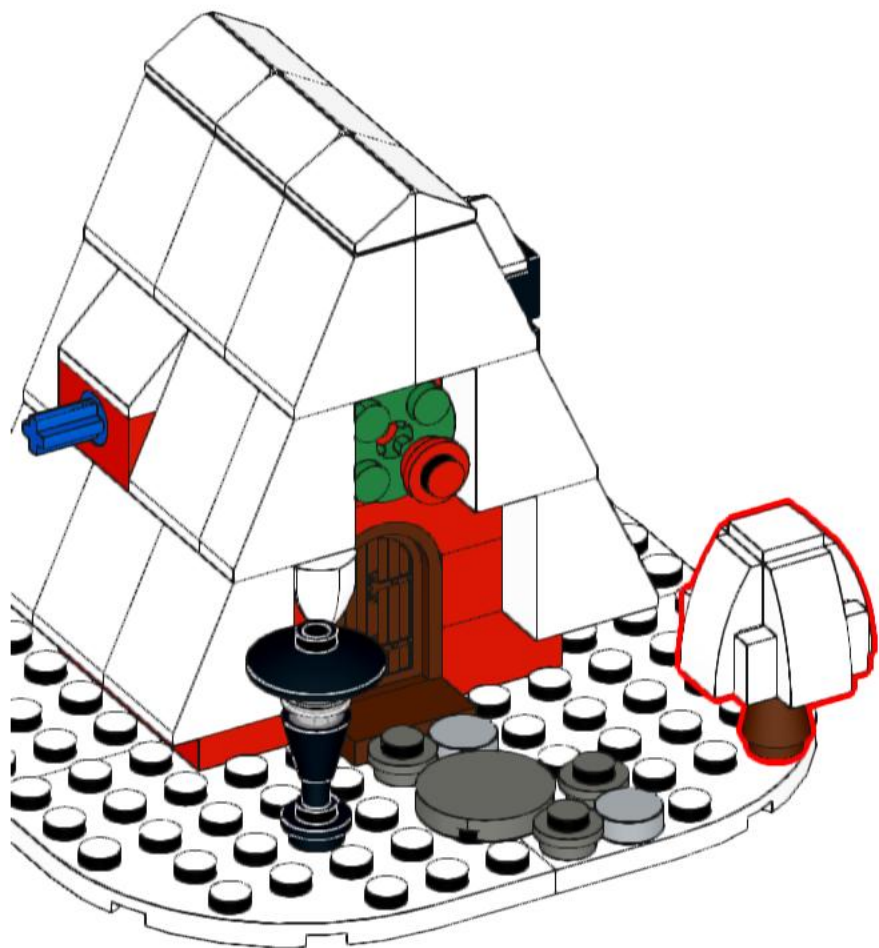
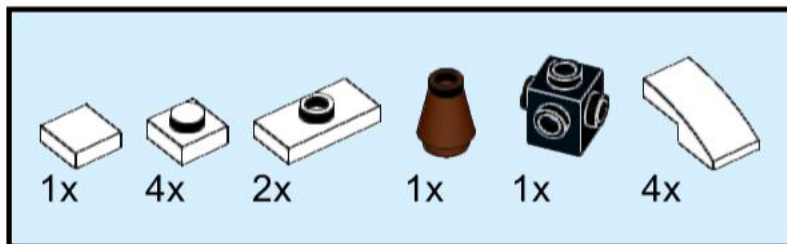
11



Place the elbow on the axle in the roof.
Place the chimney in the top of the elbow.
Place the extra two smoke puffs on top of the first.



12



13

